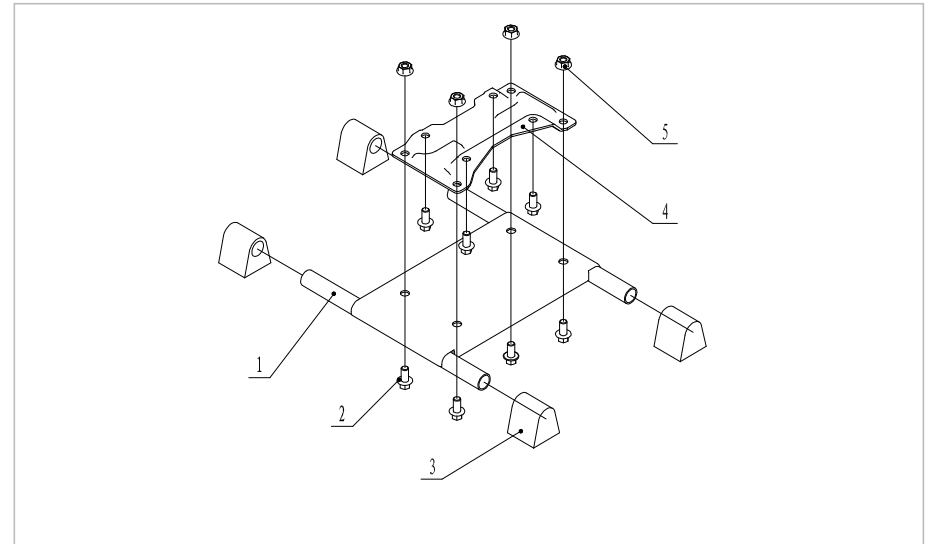
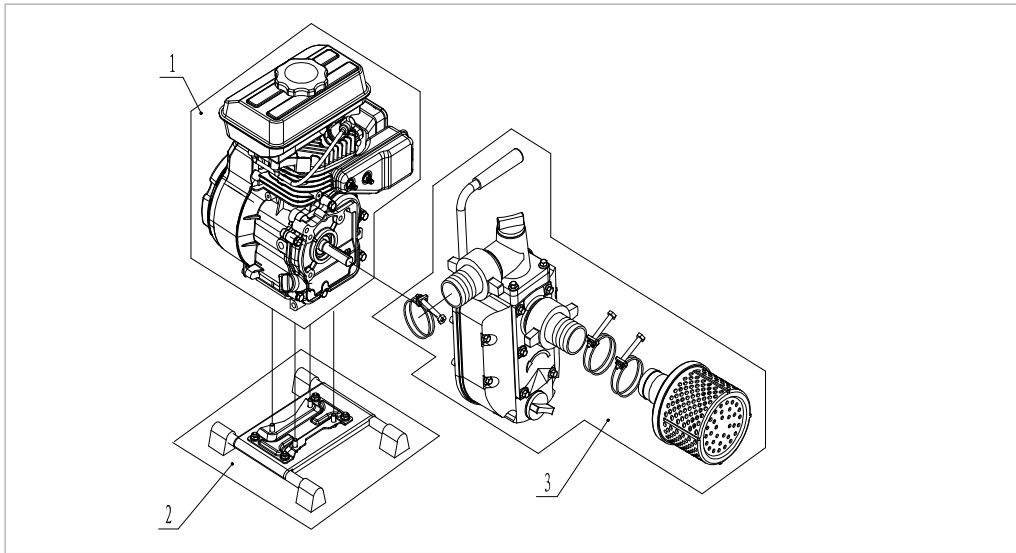




CAMON®

OUTDOOR POWER EQUIPMENT

MOTOBOMBA CAMON QGZ40-20



Nº Fig	Referencia	Descripción
1		WM152F/P Gasoline engine
2		Frame comp
3		Pump comp

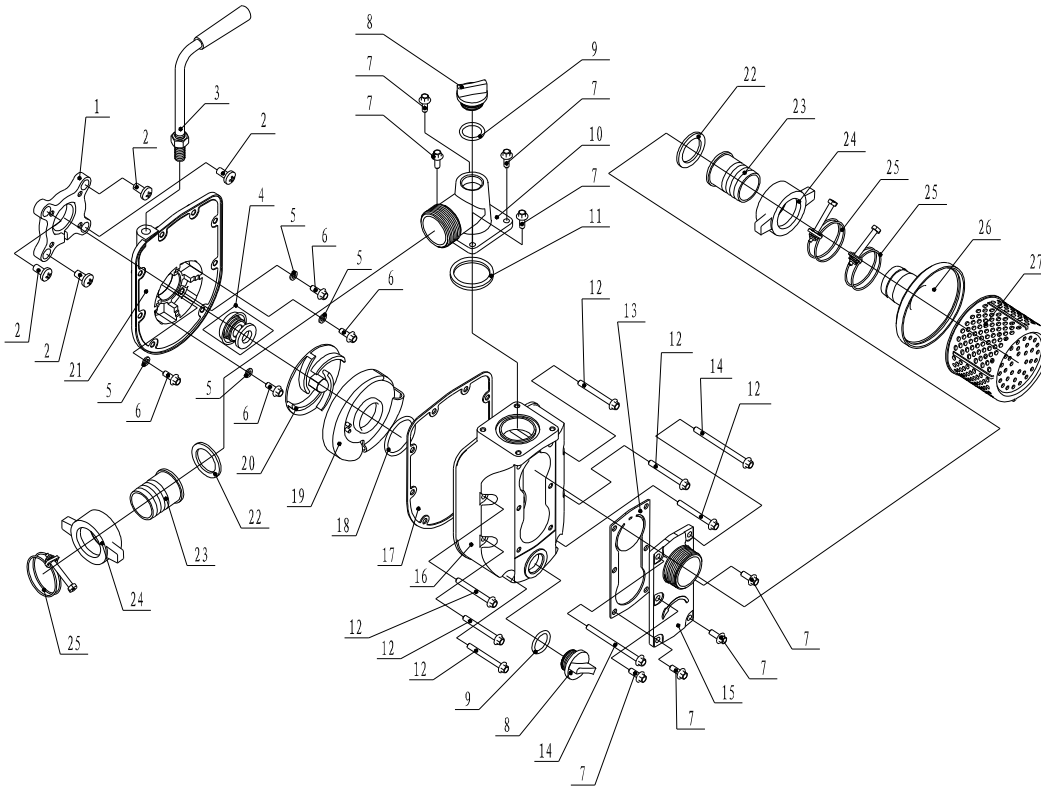
Nº Fig	Referencia	Descripción	Nº(pcs)
1	11.022.001.3001	Frame	1
2	GB/T 16674.1-2004	Bolt M8×16	8
3	11.022.021.0013	Damping foot	4
4	11.005.032.0001	Engine bottom panel	1
5	GB/T 6177.1-2000	Nut M8	4



CAMON®

OUTDOOR POWER EQUIPMENT

MOTOBOMBA CAMON QGZ40-20



NºFig.	Referencia	Referencia	Descripción	Nº (pcs)
1	GB/T6177.1-2000	11.023.002.0001	Flange plate	1
2	T3200002	12.003.008.0180	Screw M8×16	4
3	T3200020	11.005.025.0002	Handle	1
4	T3200001	11.023.001.9021	Mechanical Seal	1
5	GB/T5783-2000	12.015.034.0050	Alum gasket 6×11×1.5	4
6	T3200019	12.002.012.0126	Bolt M6×20	4
7	GB/T5787-2000	12.002.012.0124	Bolt M6×16	8
8	T3200018	11.023.001.9211	Plug	2
9	GB/T5787-2000	11.023.001.9082	O-ring 26×3.5	2
10	GB/T6172.1-2000	11.023.001.9111	Outlet pipe	1
11		11.023.001.9121	Outlet pipe gasket	1
12		12.002.012.0130	Botl M6×55	6
13		11.023.001.9272	Check valve	1
14		GB/T 16674.1-2004	Bolt M6×85	2
15		11.023.001.9091	Inlet pipe	1
16		11.023.001.9051	Pump body	1
17		11.023.001.9061	Pump gasket	1
18		11.023.001.9041	Impeller cover o-ring	1
19		11.023.001.9031	Impeller cover	1
20		11.023.001.9011	Impeller	1
21		11.023.001.9001	Pump cover	1
22		11.023.001.9161	Inlet&outlet valve washer	2
23		11.023.001.9151	Inlet&outlet valve	2
24		11.023.001.9141	Inlet&outlet valve platen	2
25		11.023.001.9171	Anchor ear	3
26		11.023.001.9181	Foot valve	1
27		11.023.001.9192	Foot valve strainer	1